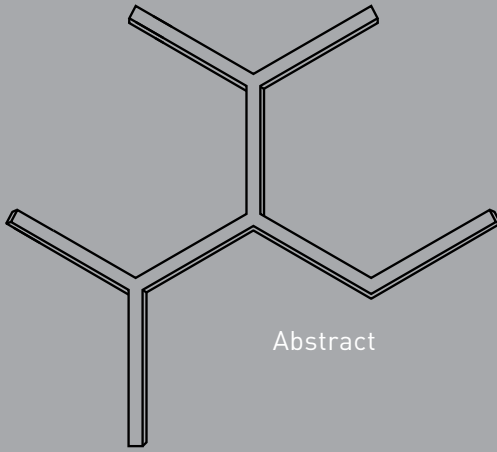


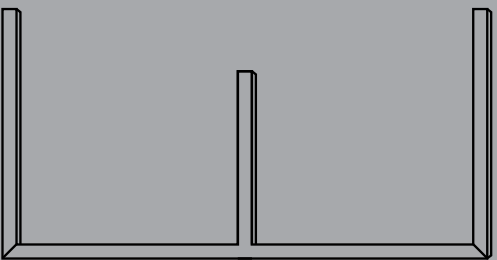
6

# Hollow Shapes

Design essentials featuring stylish details. Perfect choice for adaptable, modest lighting solutions.



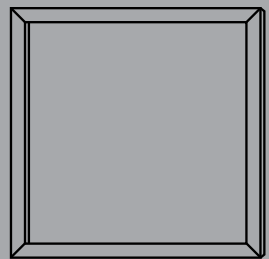
Abstract



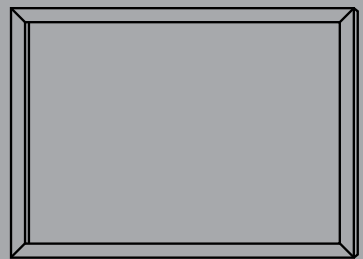
W



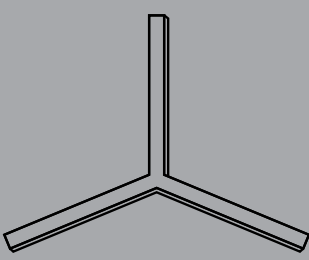
Straight  
**STR**



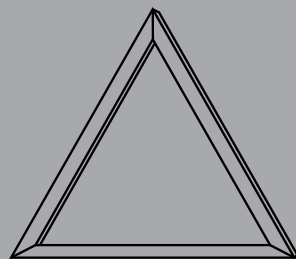
Square  
**SQ**



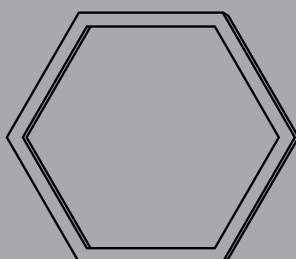
Rectangle  
**RT**



120°



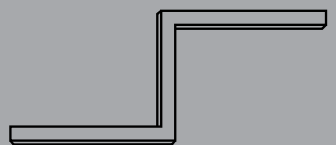
Triangle



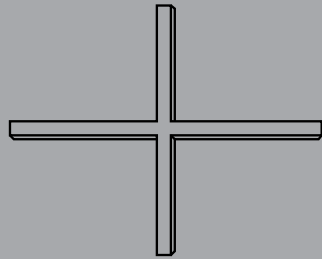
Hexedge Hollow



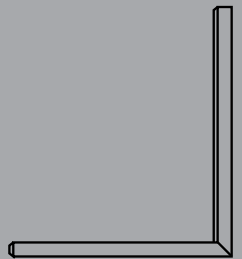
Z - Left



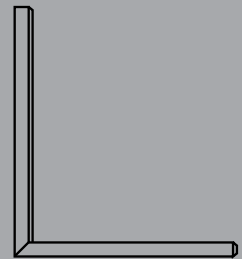
Z - Right



X



L - Left



L - Right

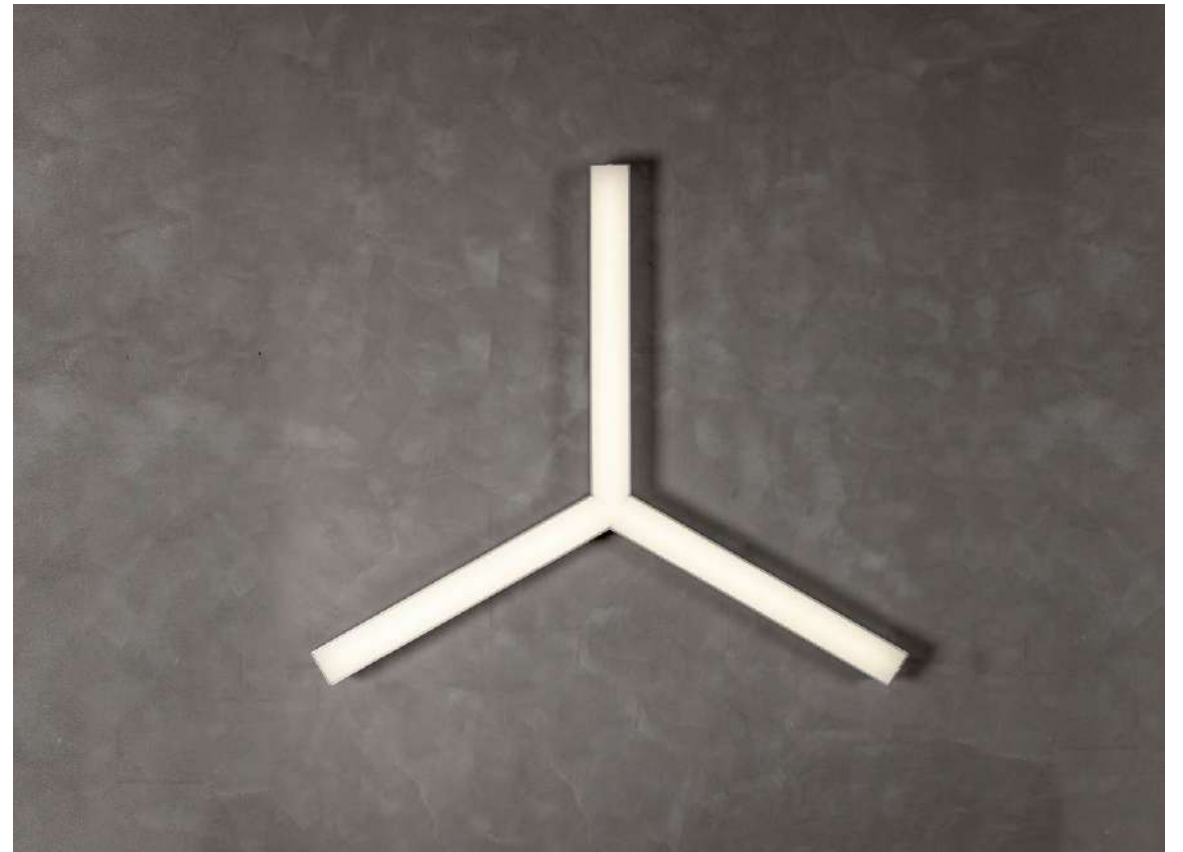
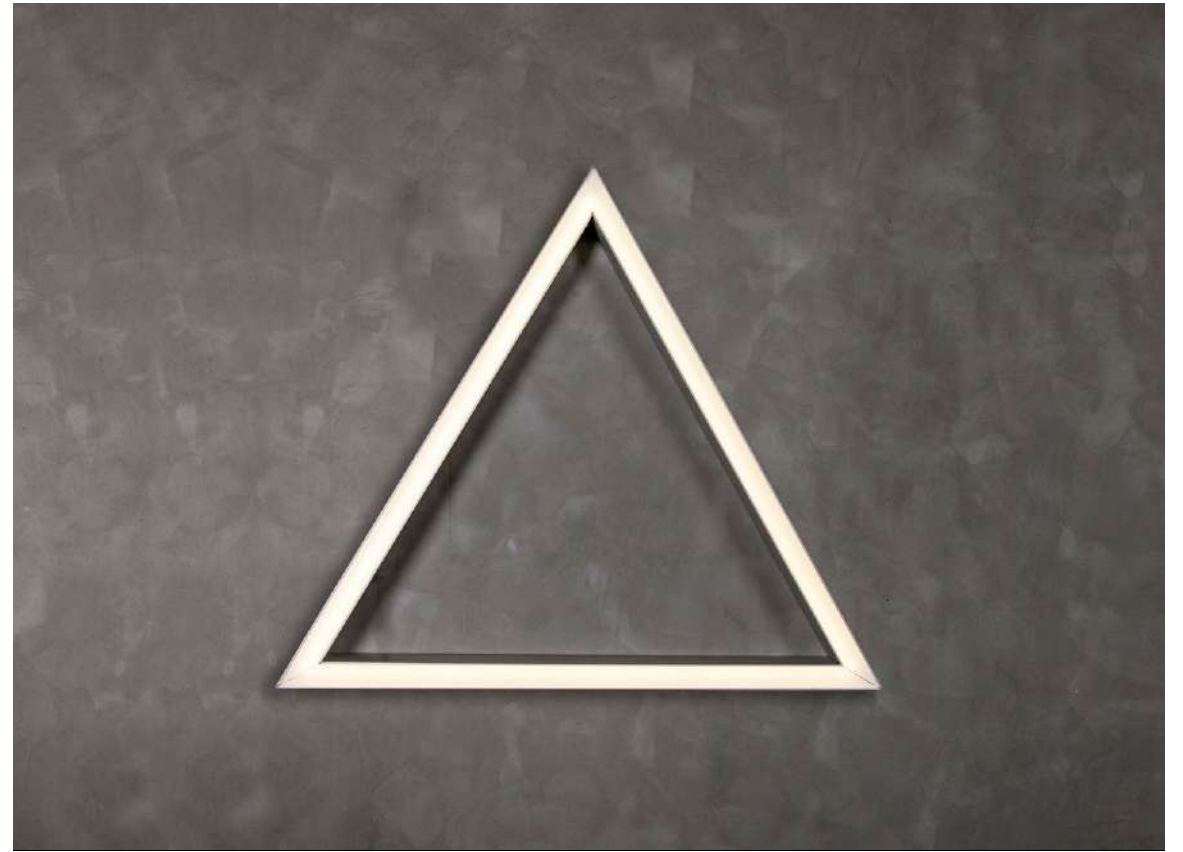
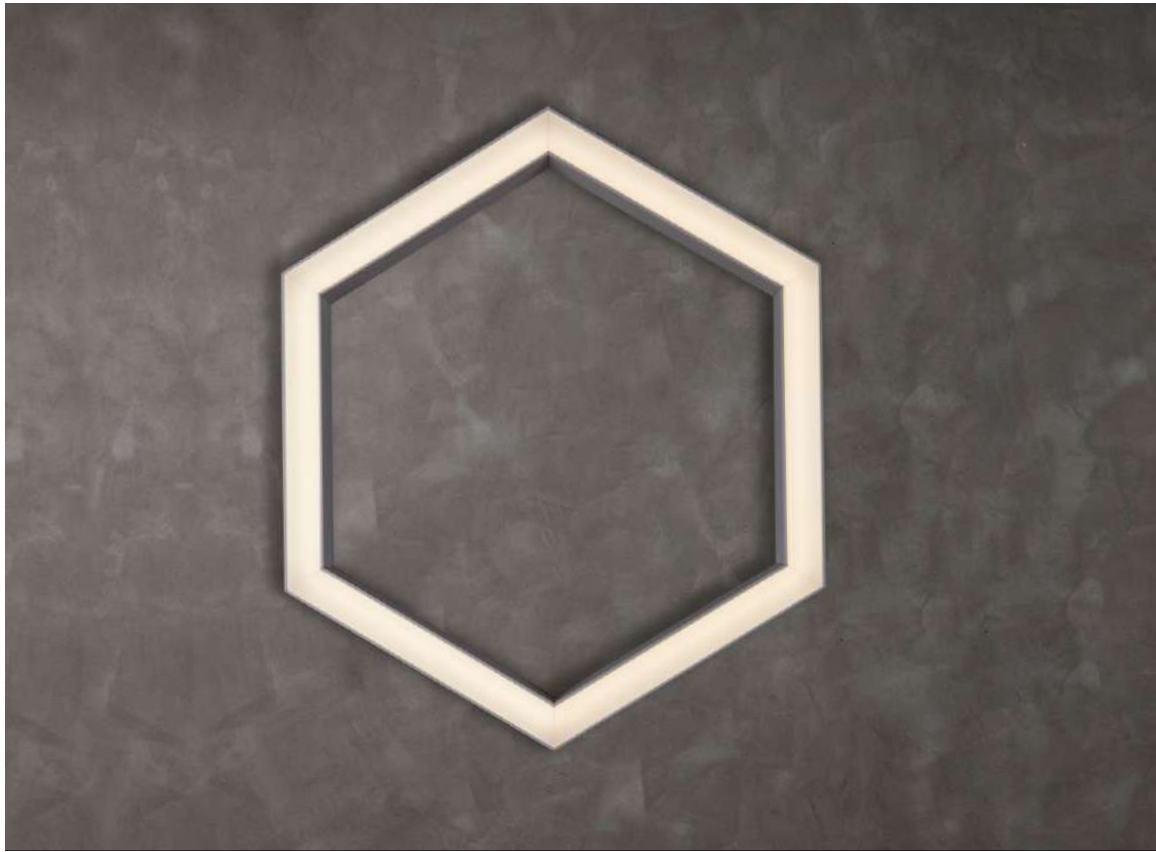
+

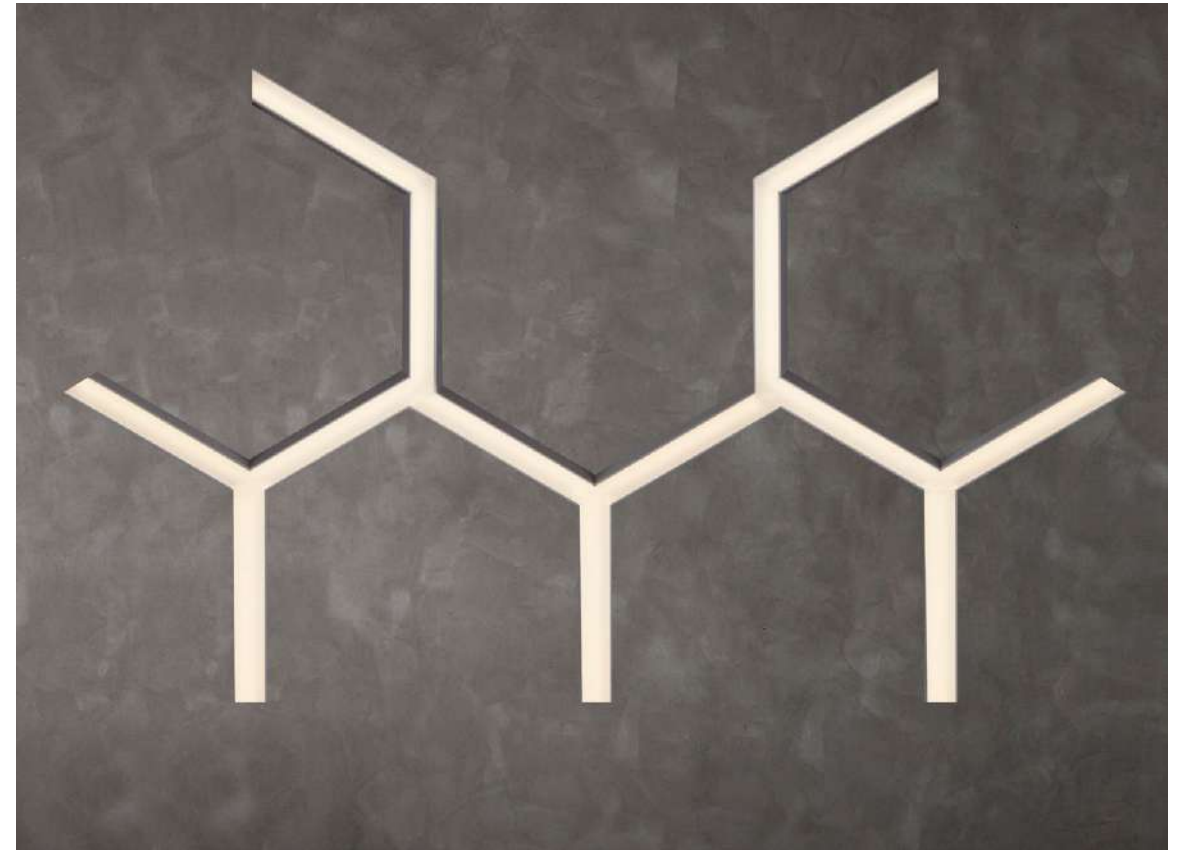
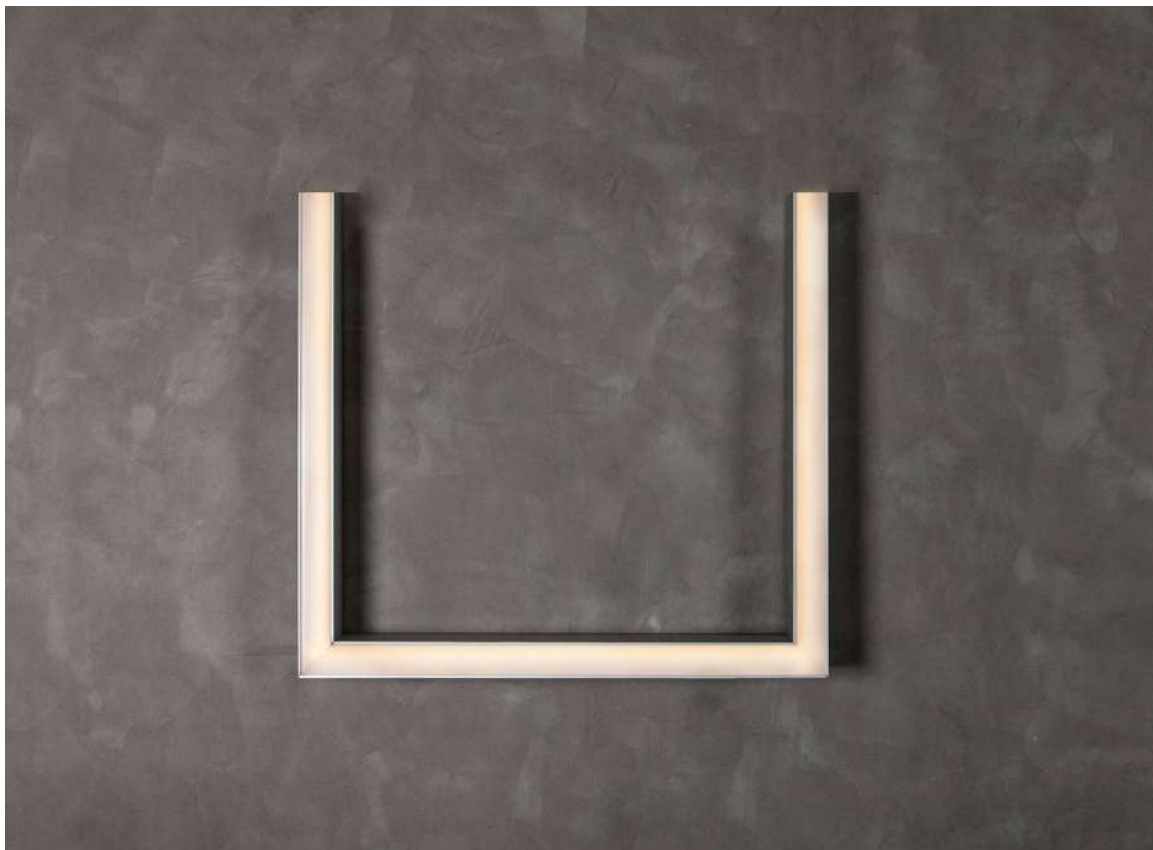
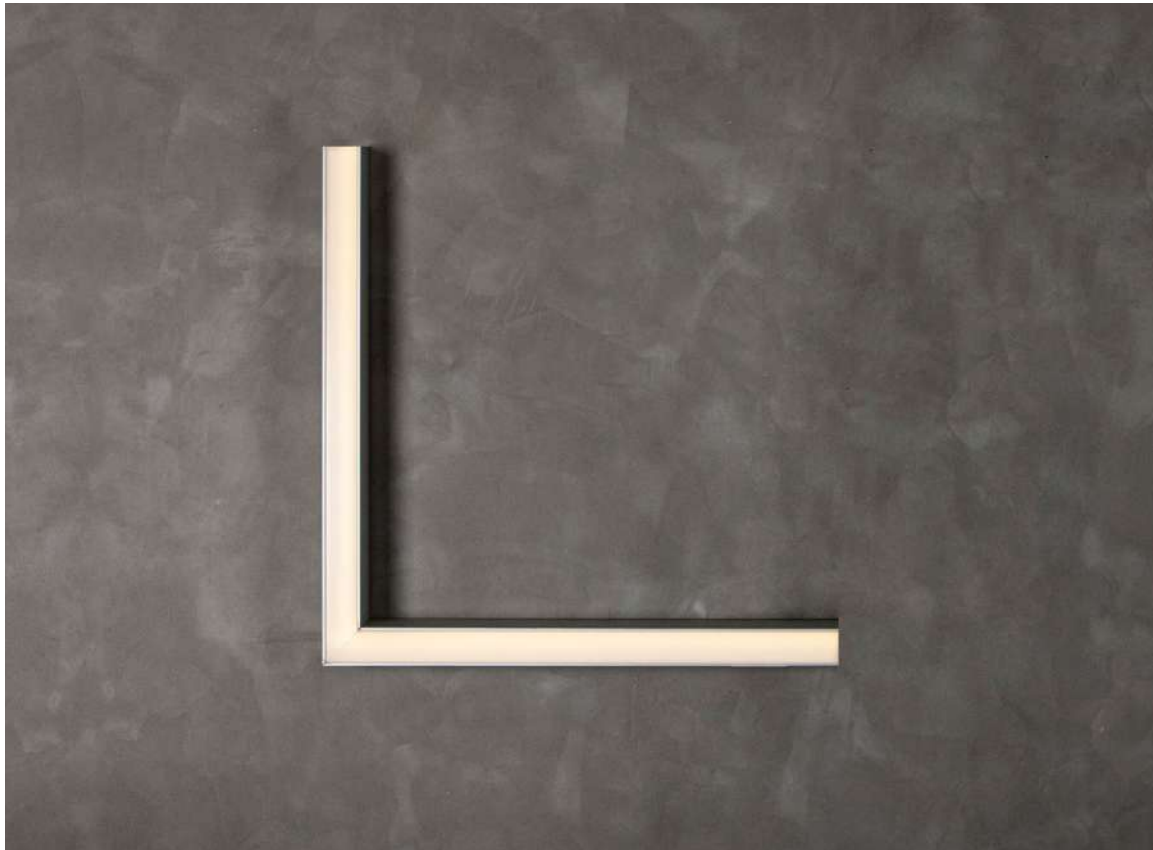
Can be customized in any desired shape, including and other than the ones shown here.

For more details contact us

Originality is nothing but  
an extrapolation of truth



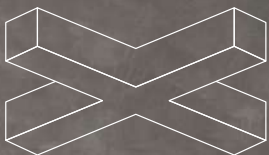
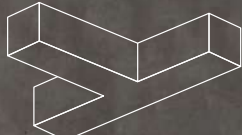
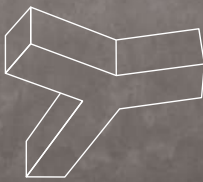
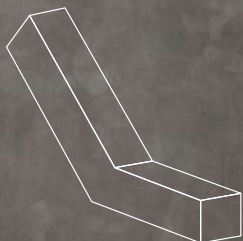
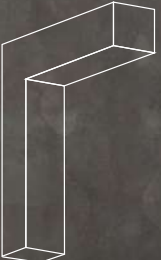




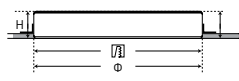


**COUPLERS**

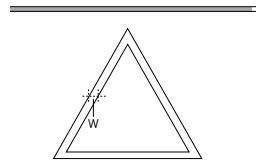
Fixtures that can be used to create different combinations and shapes by combining various Hollow Shape luminaries.

		
90° Horizontal	90° Horizontal Inside	
		
X	T	
		
Y Shape 120°	Hockey 135°	90° Vertical Inside

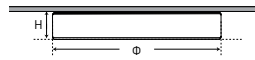
# Hollow Shapes



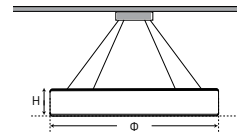
RECESSED



WALL



CEILING



PENDANT

## RECESSED

Luminaire directly installed into a hollow opening in a ceiling.

### DIRECT

Downward light distribution provides uniform lighting.

**Luminaire Type**  
Recessed

**Dimension W x H**  
40x75 mm

**Fixing System**  
Recessed Mounting Brackets

**Light Distribution**  
Direct

## WALL

Luminaire mounted on the wall.

### DIRECT

Downward light distribution provides uniform lighting.

**Luminaire Type**  
Wall Mounted

**Dimension W x H**  
40x75 mm

**Fixing System**  
Wall Mounted with Screw

**Light Distribution**  
Direct

## CEILING

Flush-mount luminaires attached to the ceiling.

### DIRECT

Downward light distribution provides uniform lighting.

**Luminaire Type**  
Ceiling Mounted

**Dimension W x H**  
40x75 mm

**Fixing System**  
Ceiling Mounted with Screw

**Light Distribution**  
Direct

## PENDANT

Luminaire suspended from the ceiling with a transparent wire.

### DIRECT

Downward light distribution provides uniform lighting.

**Luminaire Type**  
Pendant

**Dimension W x H**  
40x75 mm

**Fixing System**  
1500mm long steel wires with height adjustment system

**Light Distribution**  
Direct

### DIRECT-INDIRECT

Provides light upward and downward. Can bring a softer ambient glow.

**Luminaire Type**  
Pendant

**Dimension W x H**  
40x90 mm

**Fixing System**  
1500mm long steel wires with height adjustment system

**Light Distribution**  
Direct-Indirect

All Hollow Shapes carry the following specifications

GENERAL	<b>Body Construction</b>	Highest grade extruded aluminum
	<b>Surface Finishes</b>	Texture White Texture Black Texture Grey Any Other RAL color possible on Request
	<b>IP Rating</b>	40

LED	<b>Light Source</b>	LED
	<b>CCT</b>	3000K   4000K   5700K   TW (Tunable White) 2700-6500K
	<b>CRI</b>	80+, 90+ (Available on request)
	<b>MacAdam Step</b>	3

<b>Power Factor</b>	0.94
---------------------	------

<b>Diffuser</b>	Satin finished PC Opal Diffuser or <b>Micro-Prismatic diffuser</b> , is fixed with Snap-in technique, Diffuser single max. length available in 3380mm
-----------------	-------------------------------------------------------------------------------------------------------------------------------------------------------

<b>Driver</b>	Non-Dimmable DALI Dimmable 0-10V Analogue Bluetooth 4.0 CASAMBI remote control through App
---------------	--------------------------------------------------------------------------------------------------------

All Hollow Shapes are available in the following colours

