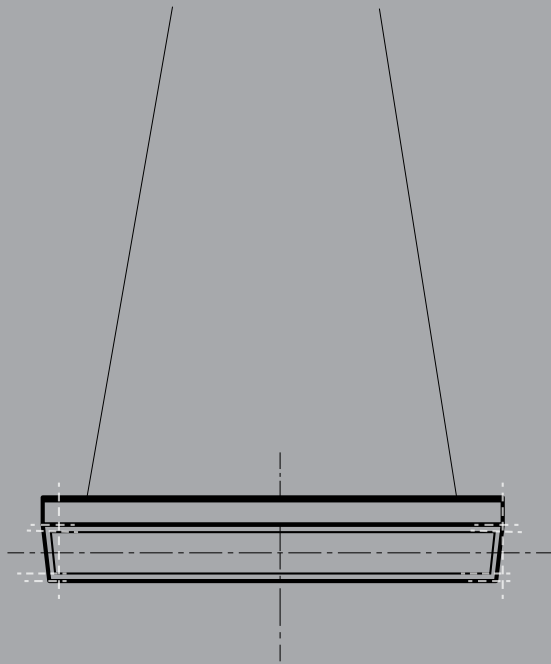


4

Flow

Timeless
symmetrical design,
the perfect centre of
attention in a room.







Seamless fusion of flat, minimal design with superb light quality. Glare-free illumination.

Flow

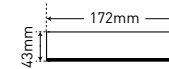


PENDANT

Luminaire suspended from the ceiling with a transparent wire.

DIRECT

Downward light distribution provides uniform lighting.



Product Code
FPM

Luminaire Type
Pendant

Dimension W x H x L*
172x43x1140 mm

Fixing System
1500mm long steel wires with height adjustment system

Couplers
90° Ceiling to ceiling, T shape

Light Distribution
Direct

HE (High Efficiency)
30W (System Wattage)

HO (High Output)
40W (System Wattage)

HE Luminous Flux
2400 lm at Luminaire level

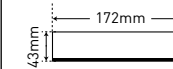
HO Luminous Flux
3200 lm at Luminaire level

CEILING

Flush-mount luminaries attached to the ceiling.

DIRECT

Downward light distribution provides uniform lighting.



Product Code
FCM

Luminaire Type
Ceiling Mounted

Dimension W x H x L*
172x43x1140 mm

Fixing System
Ceiling Mounted with Screw

Couplers
90° Ceiling to ceiling, T shape

Light Distribution
Direct

HE (High Efficiency)
30W (System Wattage)

HO (High Output)
40W (System Wattage)

HE Luminous Flux
2400 lm at Luminaire level

HO Luminous Flux
3200 lm at Luminaire level

All Flow carry the following specifications

GENERAL	Body Construction	Highest grade extruded aluminum Aluminum profile single max. length available in 3380mm
	Surface Finishes	Natural anodized finish Texture White Texture Black Texture Grey Any Other RAL color possible on Request
	End Cap	Screw less End cap made of Aluminum
	LED Batten	Made of aluminum extrusion Good for Passive Cooling.
	IP Rating	40
LED	Light Source CCT	LED 3000K 4000K 5700K TW (Tunable White) 2700-6500K
	CRI	80+, 90+ (Available on request)
	UGR MacAdam Step	<19 3

Power Factor 0.94
Push-in Wago terminals for quick and easy wiring between two led modules Quick coupling BJB Connector to simplify connections between the subsequent modules.

Diffuser **Micro-Prismatic diffuser** from Germany with one mm color mixing sheet Diffuser single max. length available in 3380mm

Driver Non-Dimmable DALI Dimmable 0-10V Analogue Dimmable Bluetooth 4.0 CASAMBI remote control through App

All Flow are available in the following colours



*The length mentioned here is only for a single unit but can be changed as per your preference.